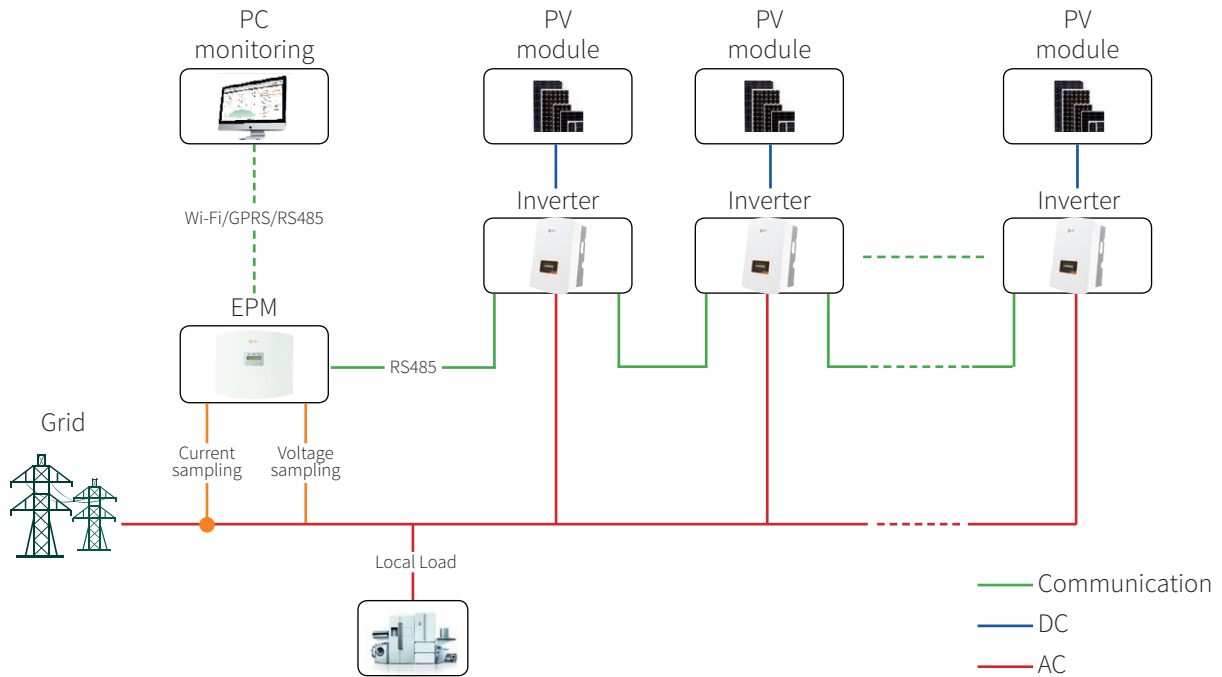


Accessories

Solis Export Power Manager

Solis Export Power Manager



Smart & strong

- Simultaneous control of 80 X Solis inverters
- Realizing reactive compensation of the system, which ensure the power factor of the system is up to standard

Saving & high precision

- Simultaneously monitor the operating data of the 80 X Solis inverter, saving the cost of the monitoring system
- The control accuracy is up to 3%, which improves the system's spontaneous use rate

Friendly & compatible

- Supports simultaneous access of Solis inverters with different powers
- Monitor power generation and load consumption at all times



Datasheet

Model Name	Solis-EPM1-5G	Solis-EPM3-5G	Solis-EPM3-5G-PLUS
------------	---------------	---------------	--------------------

Input AC

Rated voltage	230V, 1/N/PE	400V, 3/N/PE or 3/PE	400V, 3/N/PE
Input voltage range	L to N: 100~277V		L to L: 320~480V
Input frequency range	45~65Hz		
Input current	5A		

Communication

Inverter communication	Modbus RS485		
Maximum communication inverter numbers	10	10	80 ⁽¹⁾
Maximum communication distance	1000 m		
Monitoring	Wi-Fi stick or GPRS stick for single inverter connection Wi-Fi box or GPRS box for 2~10 inverters connection		Wi-Fi box (Built in)

General Data

Ambient temperature	-25 ~ +60°C		
Relative humidity	5%~95%		
Ingress protection	IP65		
Self consumption	<5W		<15W
Dimensions (W*H*D)	364*276*114 mm		488*446*149 mm
Weight	2.1kg		5.4kg
AC connection	Quick connection terminal		
CT connection	Plug terminal		
Display	LCD		

Features

Failsafe function	Yes		
Remote upgraded	Yes ⁽²⁾		Yes
CT specification	Optional		
Control time	5 s		
Power Accuracy	3%		

CT specification

Specification	Dimensions (mm)			Hole size (mm)		Ratio
	W	H	D	a	e	
CT-30×20-100A	90	114	40	22	32	100:5A
CT-60×40-300A	114	140	36	42	62	300:5A
CT-80×40-600A	122	162	40	42	82	600:5A
CT-80×40-1000A	122	162	40	42	82	1000:5A
CT-160×80-2000A	184	254	52	82	162	2000:5A
CT-160×80-3000A	184	254	52	82	162	3000:5A

Note:

(1) The installation capacity of the inverter connected to the grid does not exceed 2MW.

(2) When multiple inverters are connected, a dedicated Wifi-box is required to upgrade the EPM firmware remotely.